

## Explosion Proof Laser Enclosure

**Part Number:** 000910 - Explosion-proof Mounting Assembly

**Environment:** Hazardous - Fire or Explosion

**Application:** Isolate ignition sources in an explosive environment

**Length:** 292.92 mm (11.61 inches)

**Width:** 177.80 mm (7.00 inches)

**Height:** 151.35 mm (5.96 inches)

**Weight:** 5.78 kg (12.74 lbs)

### EXPLOSION PROOF ASSEMBLY INCLUDES: INTERNAL MOUNTING FOR LASER

- ⊕ Cast aluminum construction
- ⊕ Weatherproof neoprene gasketing
- ⊕ Internal mounting bracket (aluminum) for Dimetix D-Series laser
- ⊕ Preassembled with Dimetix laser of choice (purchased separately)
- ⊕ Optional 6.5 W/24 VDC enclosure heater available
- ⊕ Integrated, prewired communications and power module/board
- ⊕ Dual ¾" NPT conduit entry glands
- ⊕ Approvals/Compliances/Certifications\*:
  - ⊕ UL Classified—Standard 1203
  - ⊕ CSA Certified—Standard C22.2 No. 30
  - ⊕ NEC Class I, Div 1&2, groups B,C,D; Class II, Div 1&2, groups E,F,G
  - ⊕ NEMA 3, 4x, 7, 9
  - ⊕ ATEX II 2G EEx d II C; -200C to +400C; IP 66; EN50014:1997; EN50018:2000

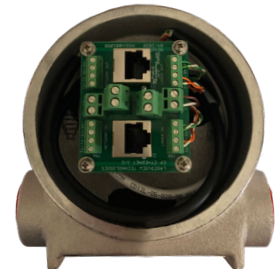
**\*Note:** Ratings apply to enclosure, not the assembly

### EXTERNAL ENCLOSURE

- ⊕ 316 stainless steel base
- ⊕ Durable, adjustable stainless steel band clamps
- ⊕ Standard mounting/bolt pattern and dimensions (see CAD drawing opposite)
- ⊕ Compatible with optional 000812 mounting bracket

### CONNECTION HARDWARE AVAILABLE (PURCHASED SEPARATELY)

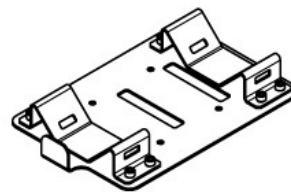
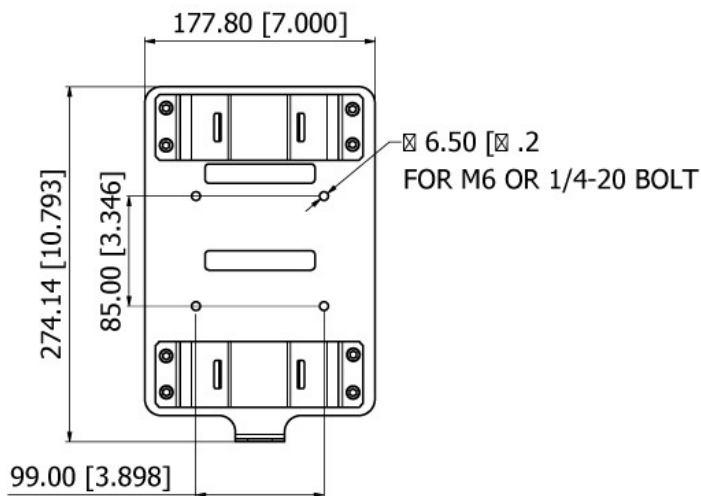
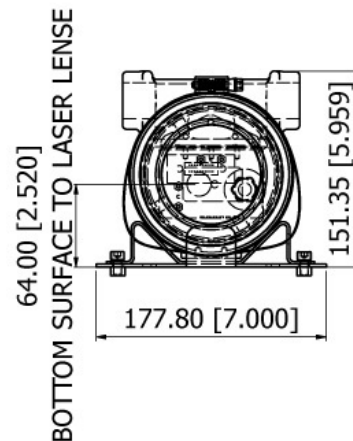
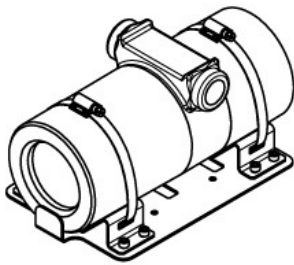
- ⊕ Compatible with any Dimetix D-Series laser distance sensor
- ⊕ Serial/Analog/Digital
- ⊕ Industrial Ethernet



**PART NUMBER: 000910**

# Explosion-proof Mounting Assembly

Length: 292.92 [11.611]  
Weight: 5.78 kg [12.74 lbs]



- ⊕ Prewired/preassembled with Dimetix D-Series laser of choice (purchased separately)
- ⊕ Safe for outdoor/washdown applications
- ⊕ Dual-sided instrument enclosure keeps power supply and laser in separate chambers
- ⊕ Cast aluminum enclosure with attractive sandblast finish
- ⊕ Rugged, adjustable mounting bracket assembly designed for stability/compatibility
- ⊕ Integrated communications and power module/board included, optional heater
- ⊕ Compatible with optional 000812 mounting bracket